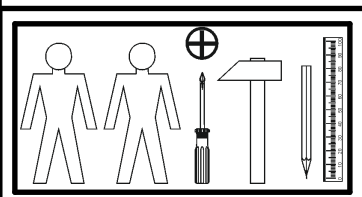
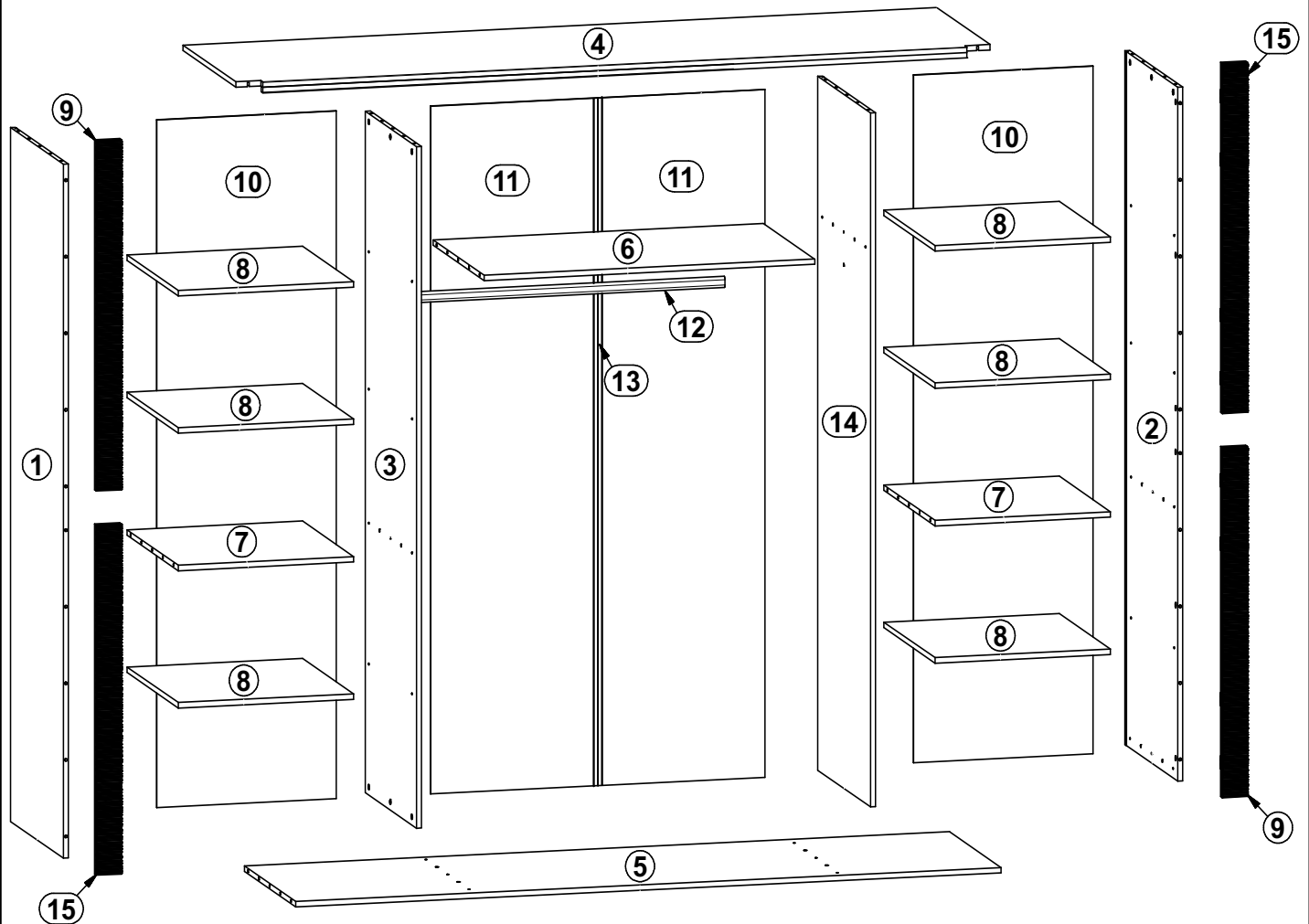
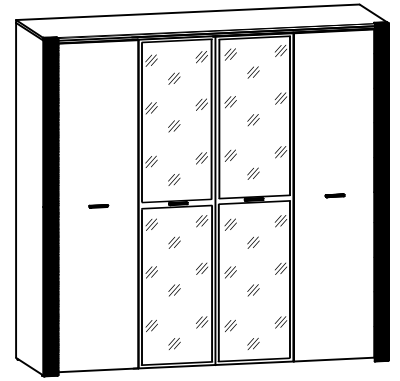


RAFLO

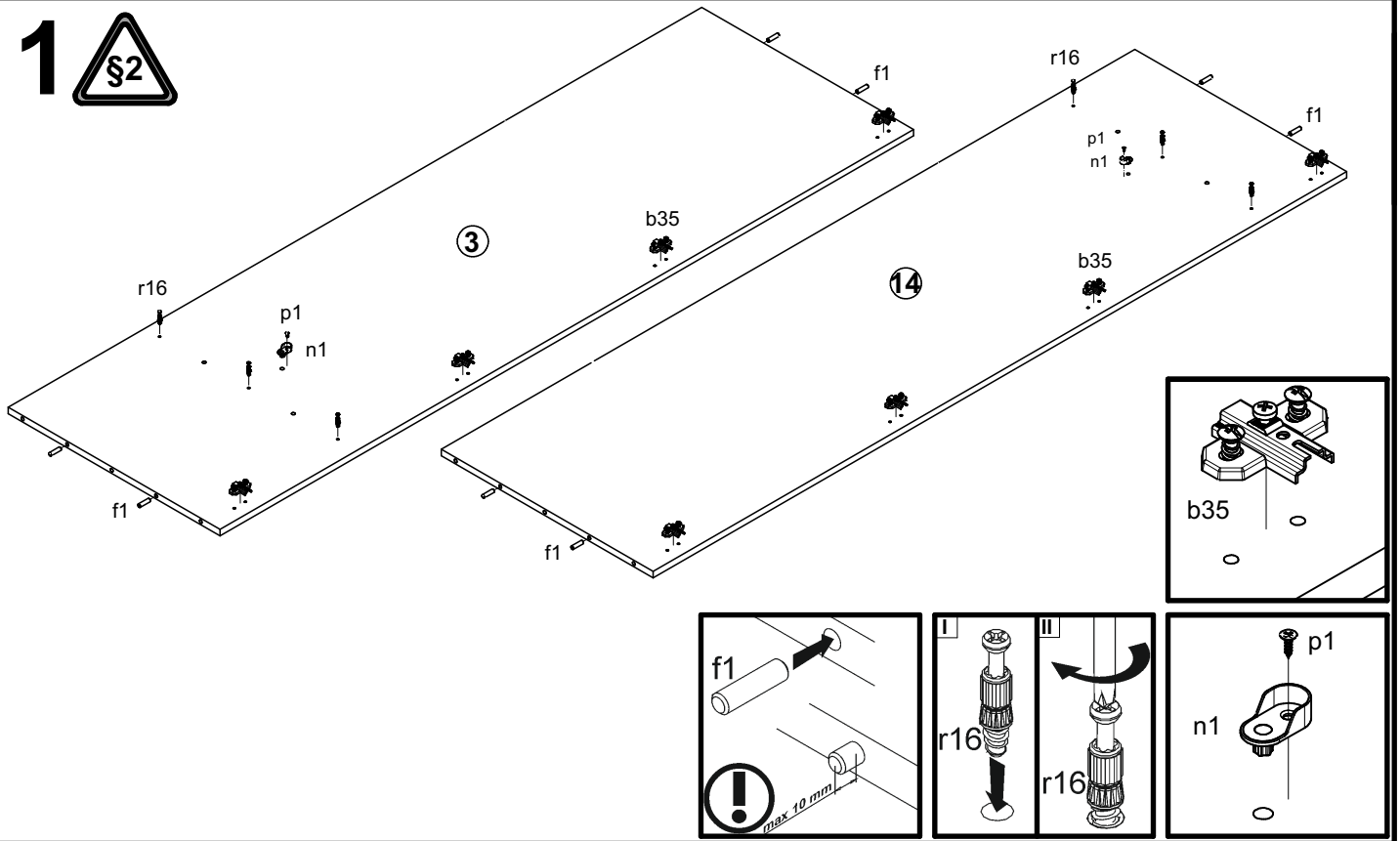
S126-SZF4D/22/22

A	B	C	D	
1	S126-170	2130	629	1/5
2	S126-171	2130	629	1/5
3	S126-172	2094	609	2/5
4	S126-230	2160	651	2/5
5	S126-350	2127	609	1/5
6	S126-351	977	609	3/5
7	S126-317	559	609	3/5
8	S126-318	559	609	3/5 </td
9	S126-590	1074	80	3/5
10	S126-971	2112	572	1/5
11	S126-970	2112	496	1/5
12	dr-972	972	30	1/5
13	lh-2082	2082	14	1/5
14	S126-173	2094	609	2/5
15	S126-592	1074	80	3/5

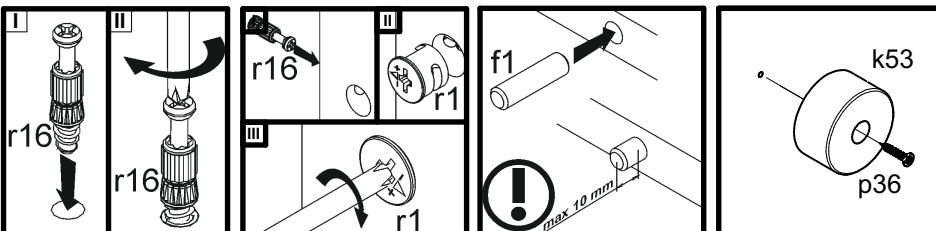
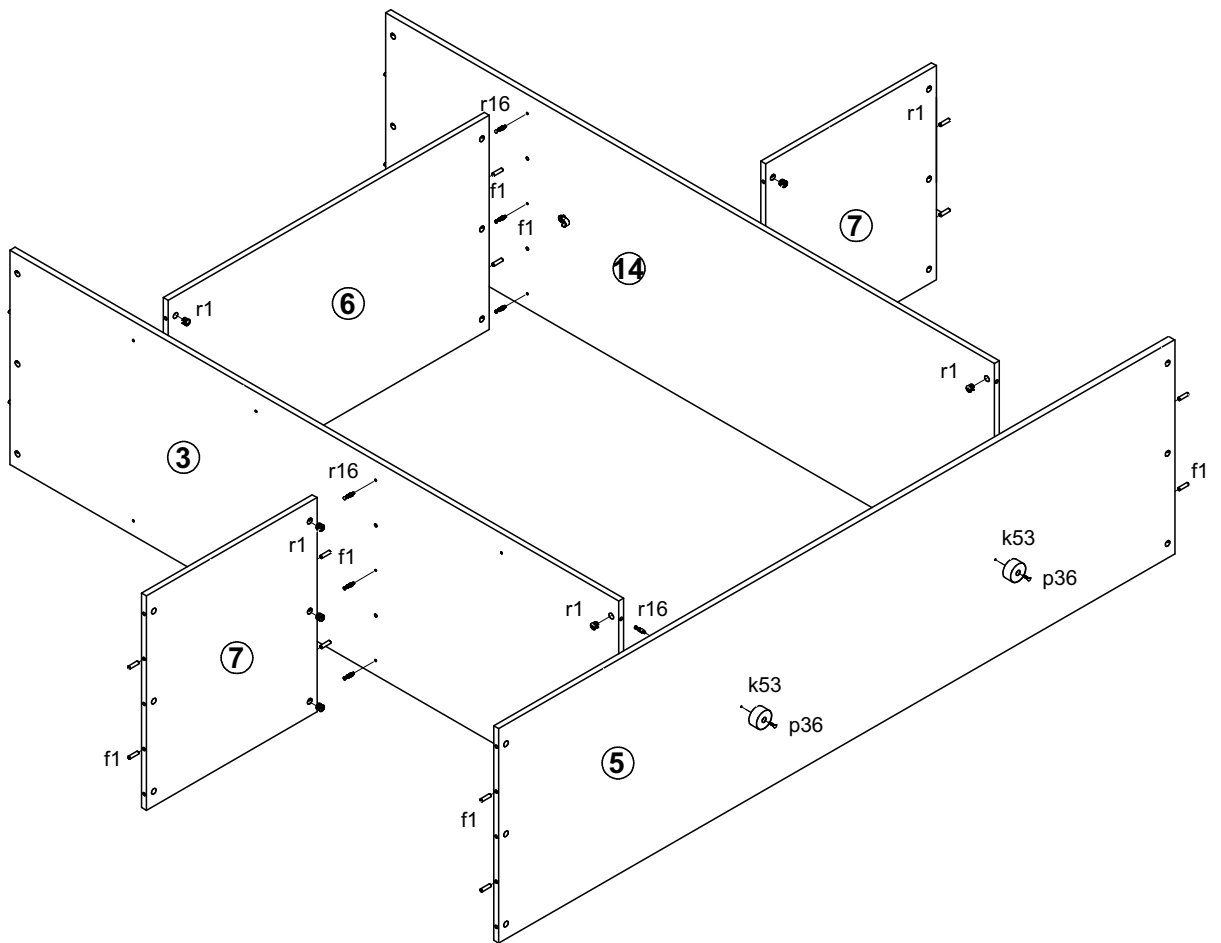


24x φ5x17 mm d1	36x φ8x30 mm f1	4x k1	2x k53	100x l1	26x l2	2x n1	2x φ3,5x13 mm p1	2x φ4x25 mm p36
54x φ15x12mm #16 r1	54x r16	2x φ20x12mm #16 r36	2x 6,7/8 r37	42x ø16 s2	8x φ11x5 mm s43	1x n2611	1x φ3,5x16 mm p38	

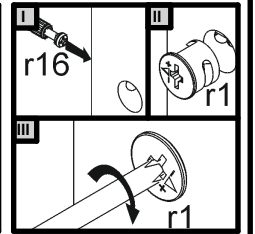
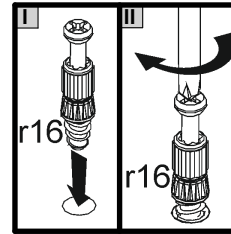
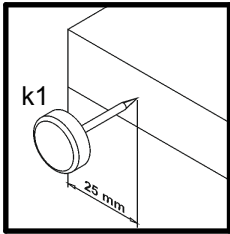
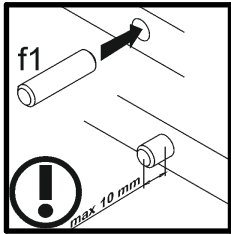
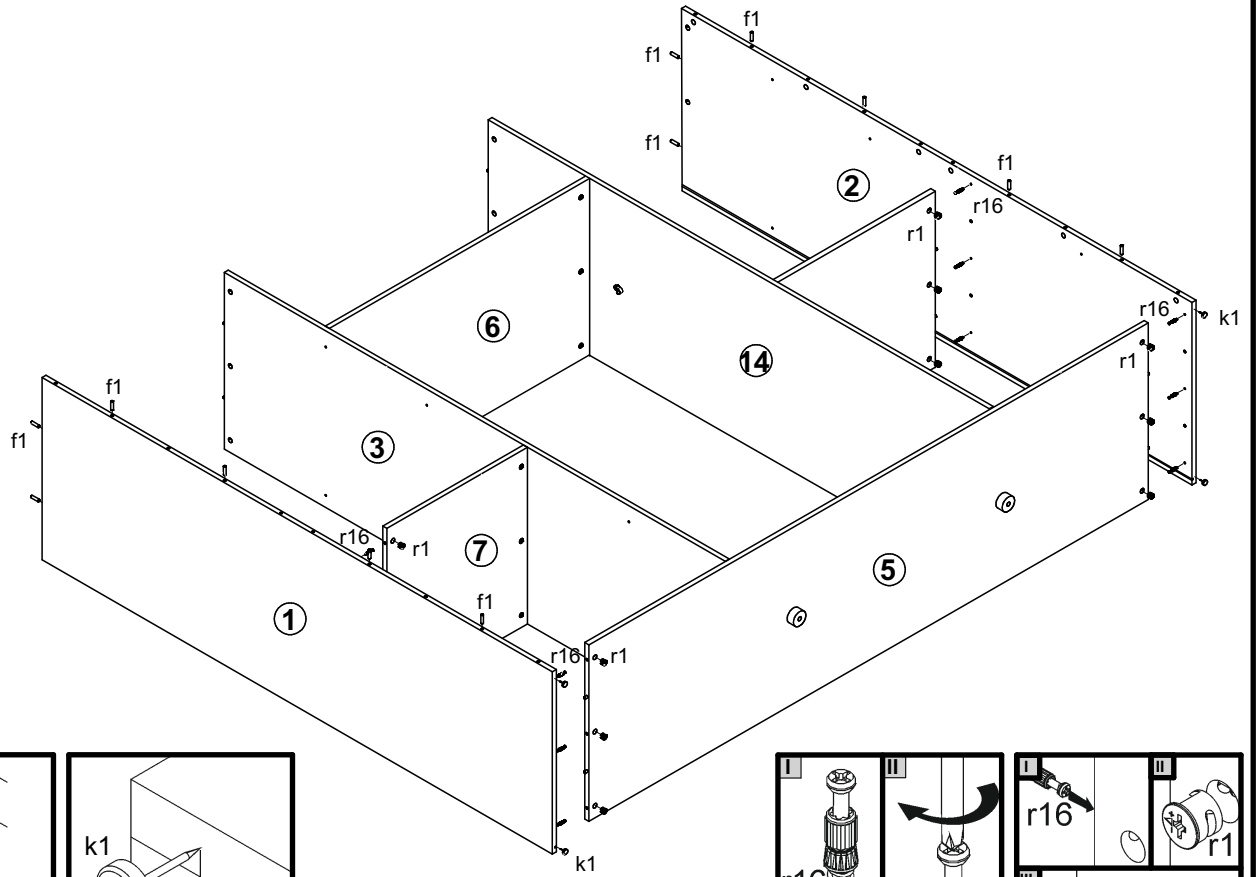
1



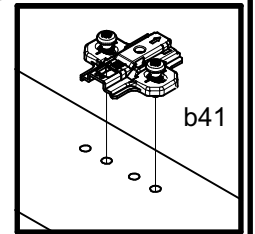
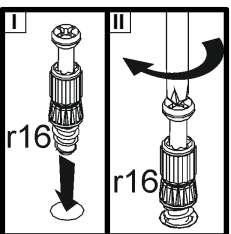
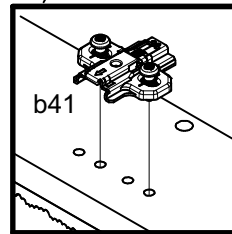
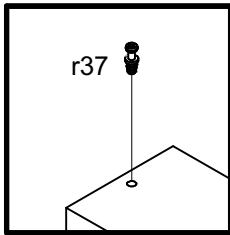
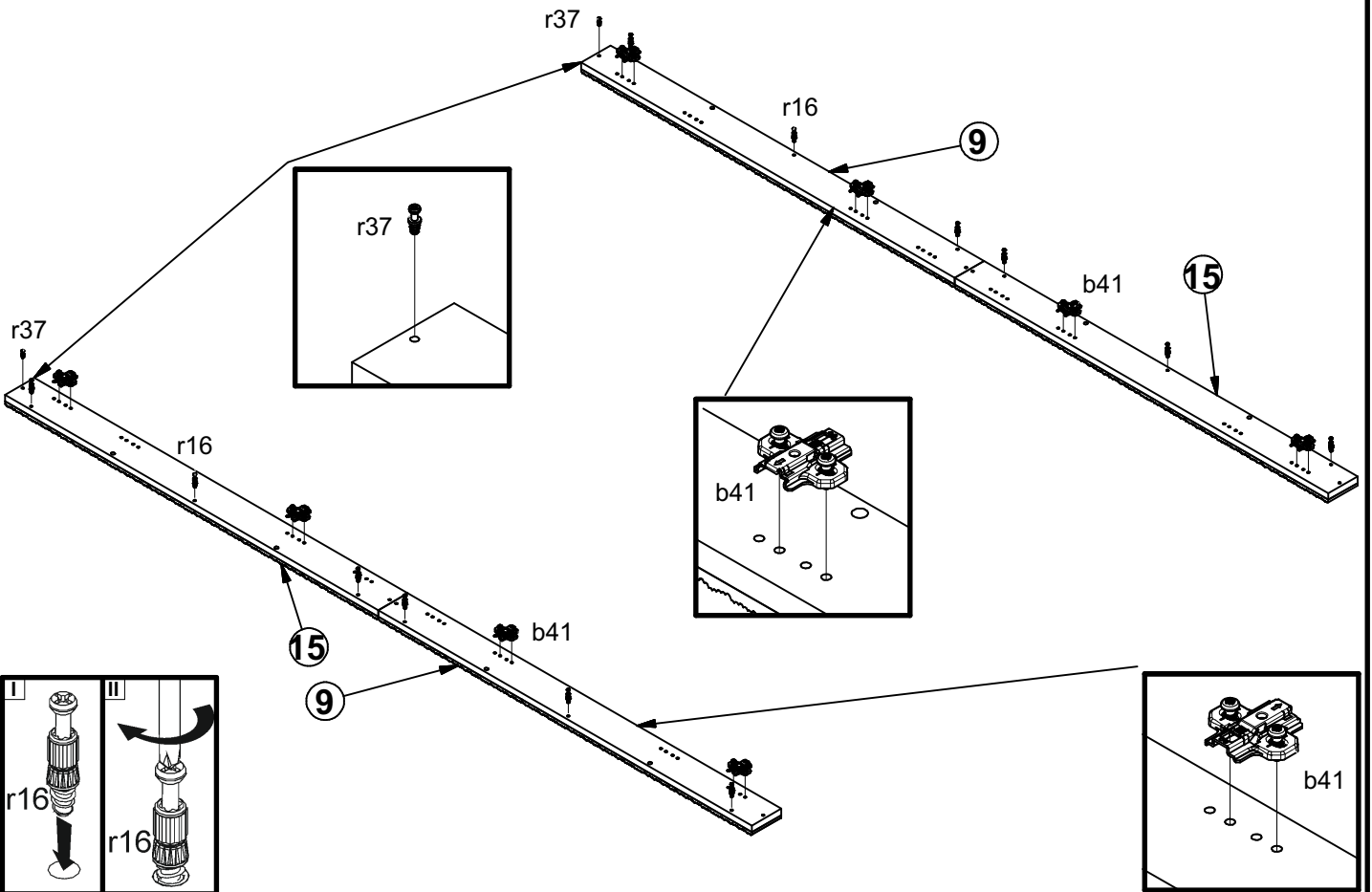
2



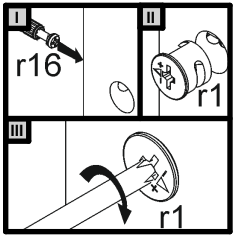
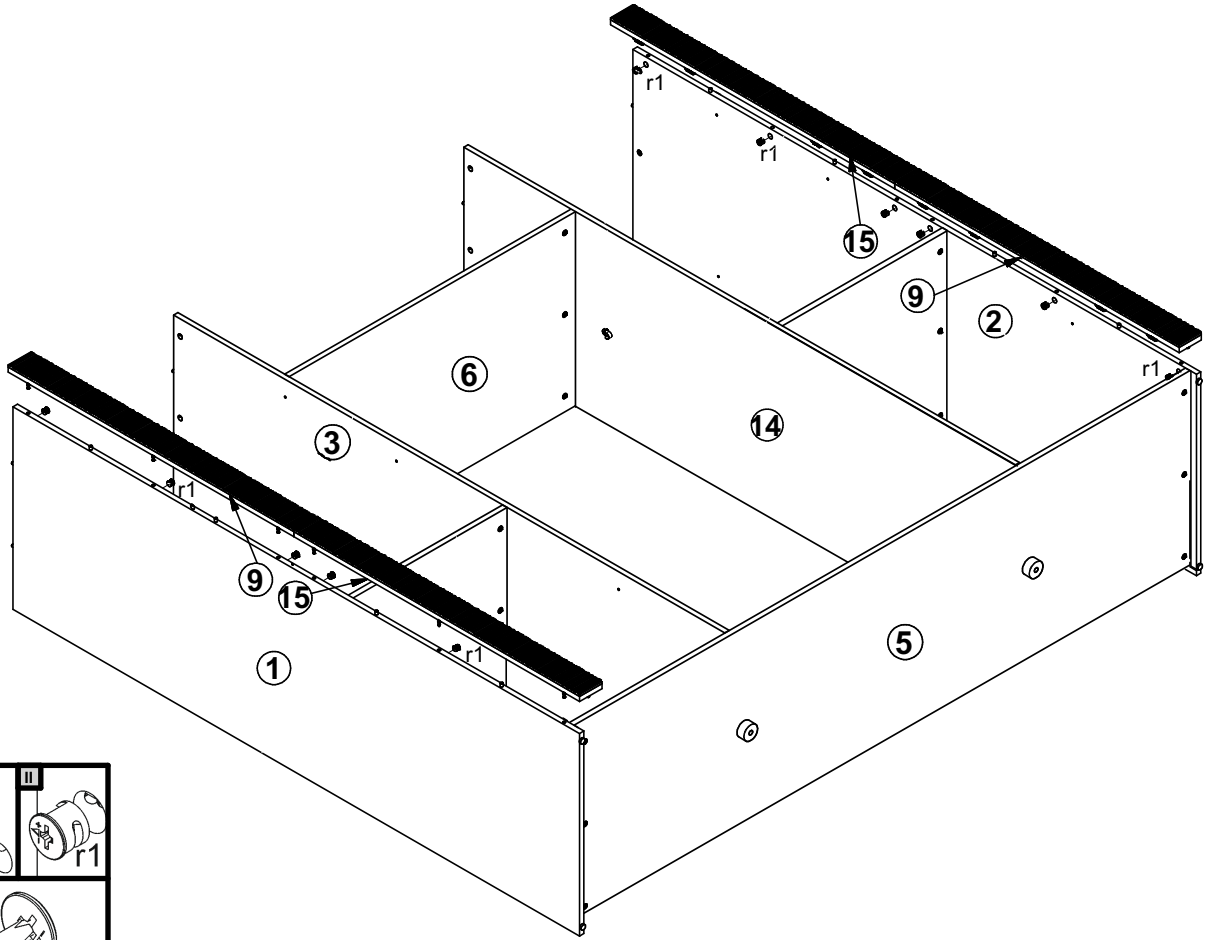
3



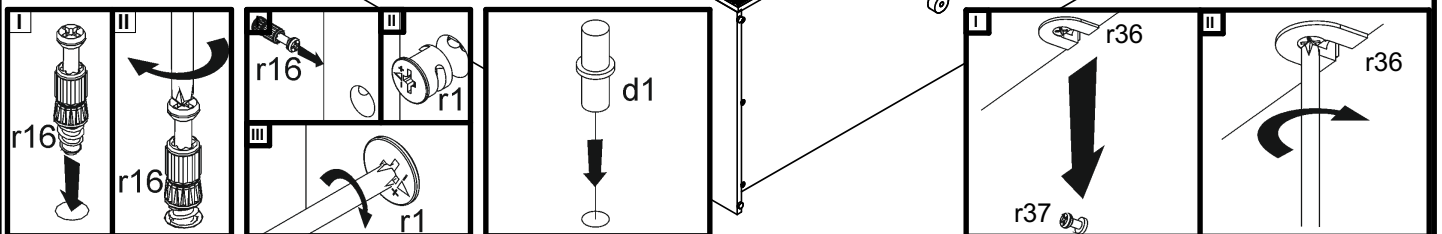
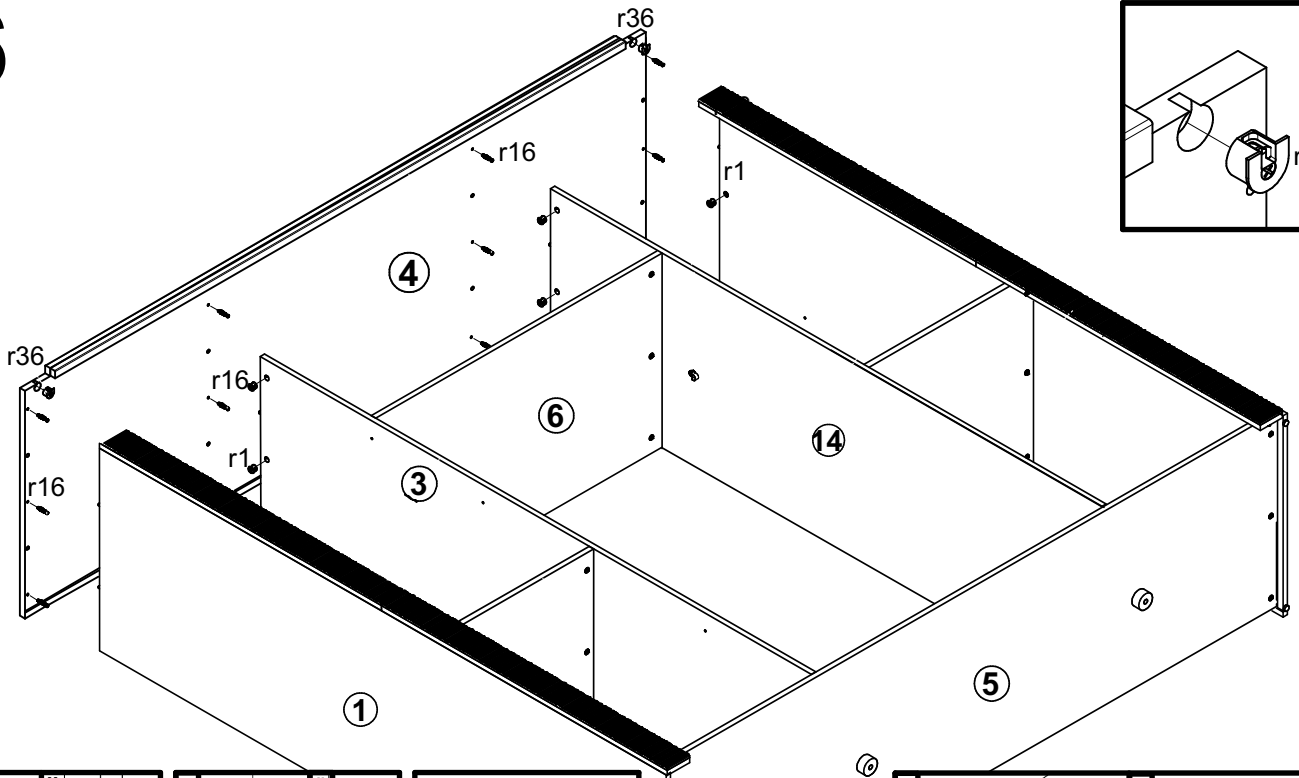
4



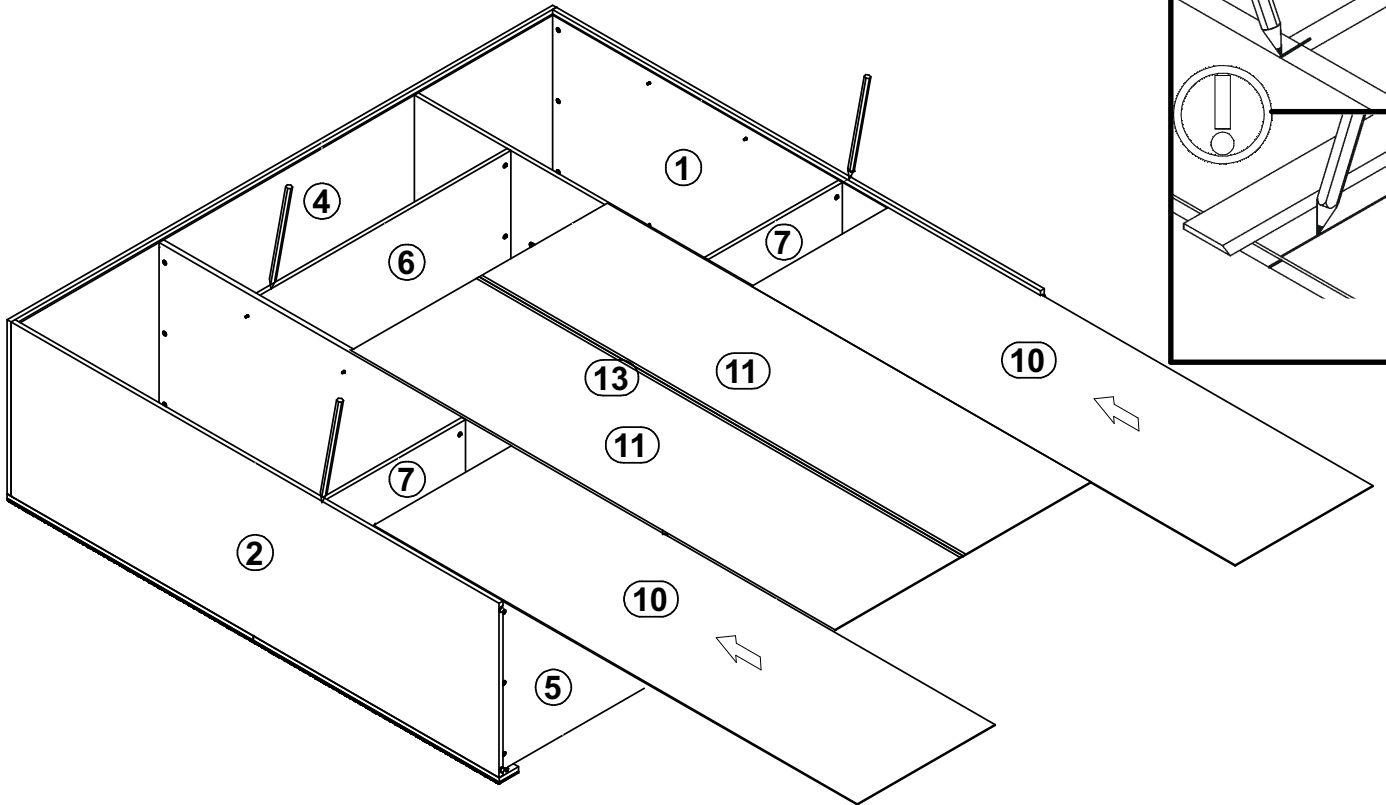
5



6



7



8

